

Delay of 5 seconds to open a door

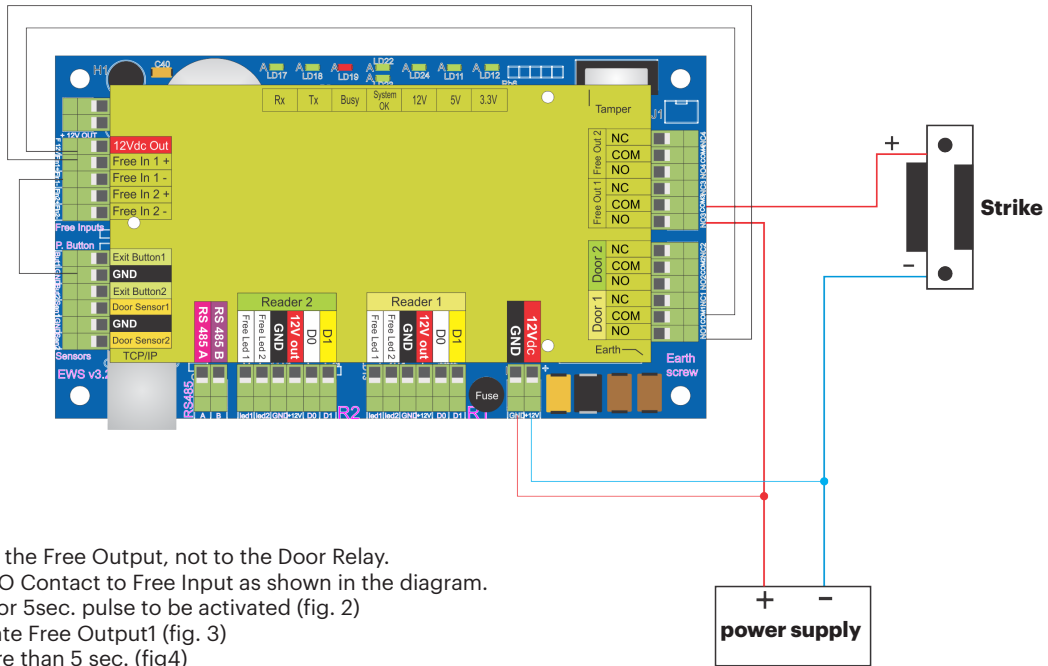
APPLICATION NOTE

ONLine Access

Add 5 seconds delay while opening a door

A017

Present the card. The Door Relay 1 will be activated. After 5 seconds, the Free Input1 will be activated, which will activate the Free Output 1 and the Door will open.



1. Connect the Door Strike to the Free Output, not to the Door Relay.
2. Connect the door relay's NO Contact to Free Input as shown in the diagram.
3. Set the Free Input to wait for 5sec. pulse to be activated (fig. 2)
4. Set the Free Input to activate Free Output1 (fig. 3)
5. Set the Door Relay 1 to more than 5 sec. (fig4)

