

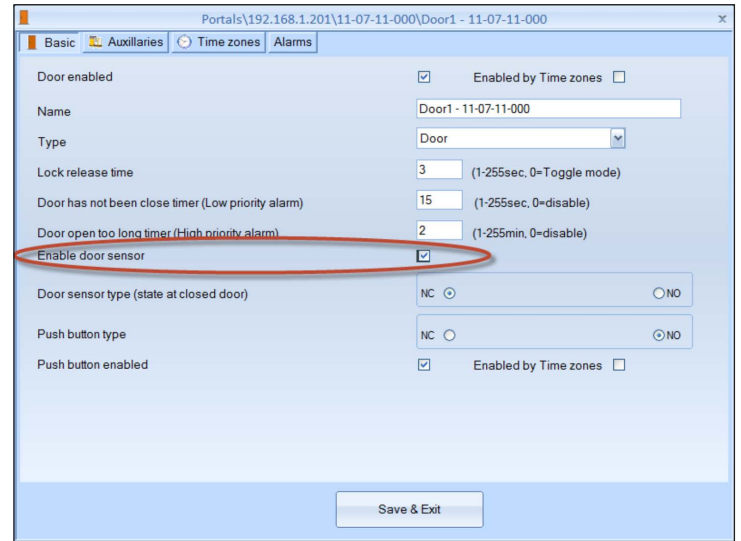
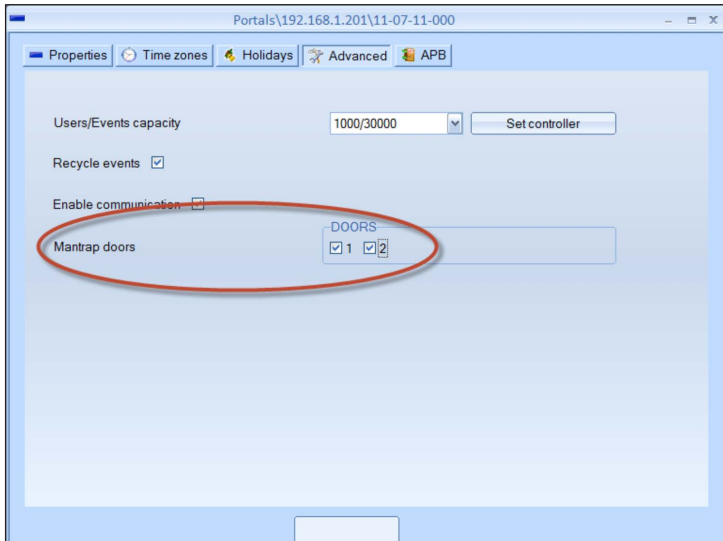
Mantrap only with Exit Buttons

APPLICATION NOTE

ONLine Access

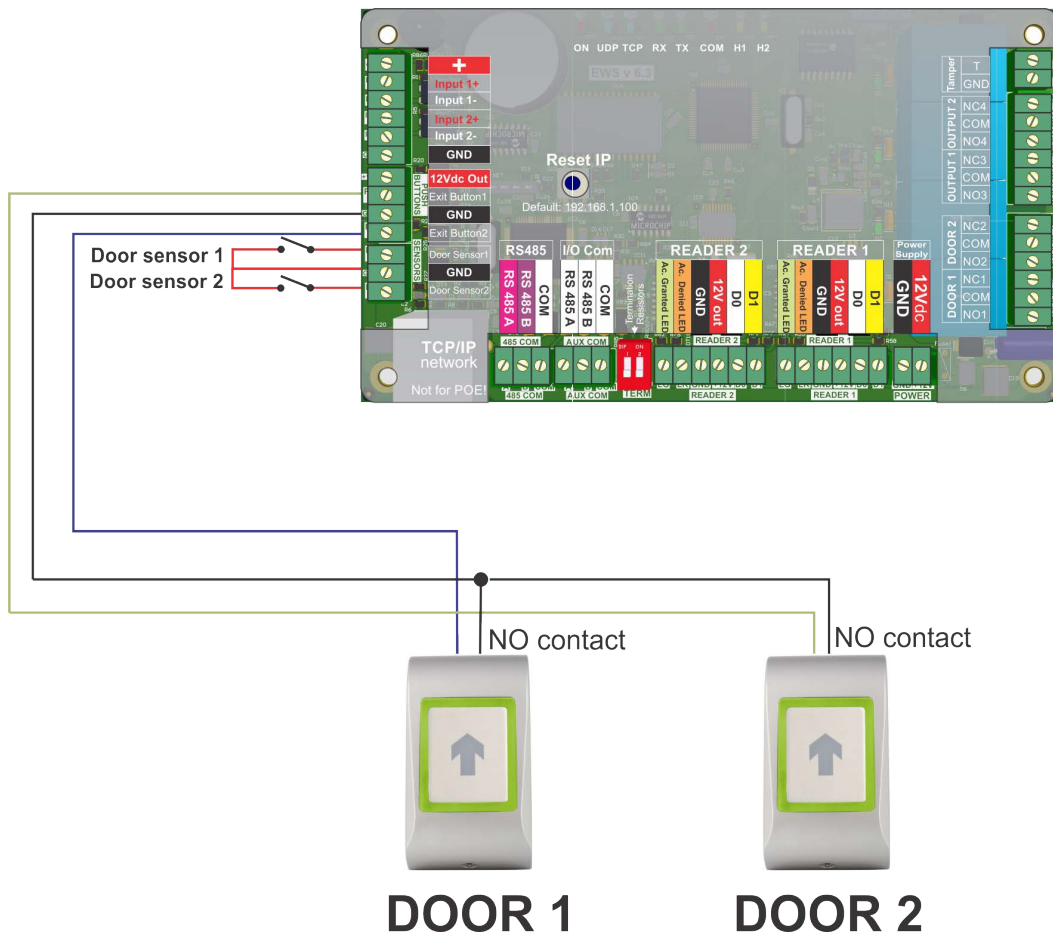
How to configure mantrap only with Exit Buttons

A053



In Controller/ Properties tick the checkbox for each door. **Save&Exit.**

In Door/Properties tick the checkbox to enable **Door Sensor.**



Mantrap in EWS/PROS is guided by the Door sensors.

No matter if there are 2 or 4 Readers, or 2 or 4 Exit Buttons, Door 2 can not be open if Door 1 is open and vice versa.

If Door Sensor are not used and if mantrap option is enabled, then Door2 can not be open during the "Lock release Time" of Door1. Ones that time is passed, Door2 can be open. When door sensors are not used, the mantrap is guided by the door timing.

v.b1 All product specifications are subject to change without notice.