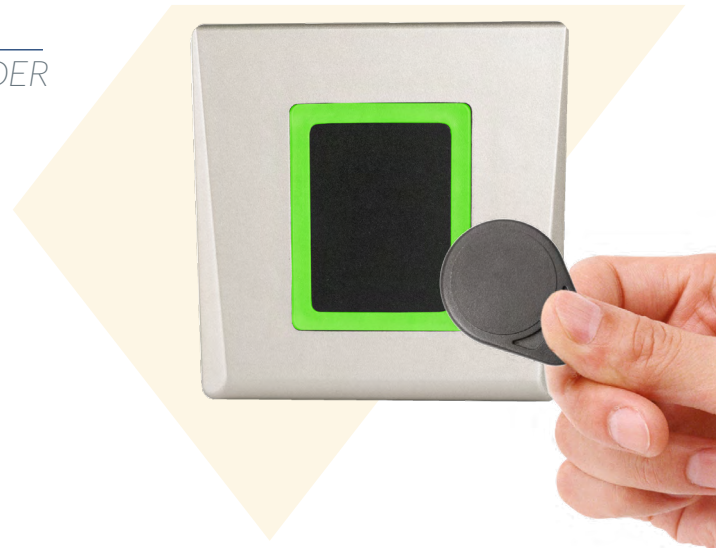


DINMTPX-SA

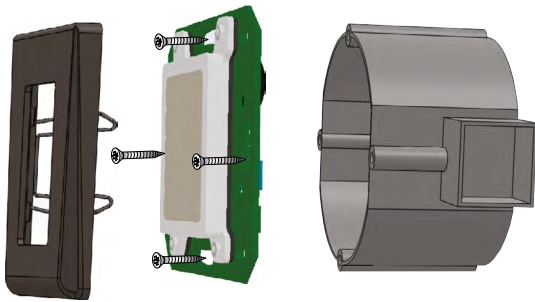
FLUSH MOUNT STANDALONE RFID READER

FEATURES

- Mounting: flush mount reader
- Output: 1 relay 3A/24V AC/DC (01 to 250 seconds)
- Reads EM4002 compatible tags and cards
- Read Range: Up to 8cm
- Users: 4000
- Programming cards: 1 Master Card and 1 Delete Card
- Adjustable Door relay Time (1-250 sec, 0-ON/OFF (Toggle Mode))
- Exit Button Input: Yes
- Tamper switch for higher security
- Tricolor LED status
- Audible Signal: One internal Buzzer
- Input Voltage: 12-24V DC; 15-24V AC;
- Current consumption: 60 mA at 12VDC; 40 mA at 24VDC
- Operating Temperature: -20°C to 50°C
- Protection Standard: IP40



MOUNTING



Idle Mode Access Denied Access Granted



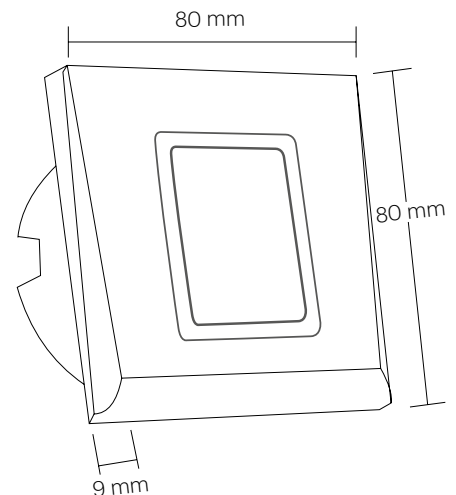
ENROLL A USER

INPUT	INDICATION
1. Present Master Card	short + long beep
2. Present Shadow Card	short + 3 short beeps
3. Present User Card (or multiple User Cards)	X2 OK beep
4. Present Master Card	short + 5 short beeps

ACCESORIES



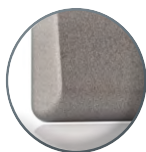
DIMENSIONS



COLOURS



DINMTPXS-MF
Silver



DINMTPXC-MF
Charcoal



DINMTPXW-MF
White