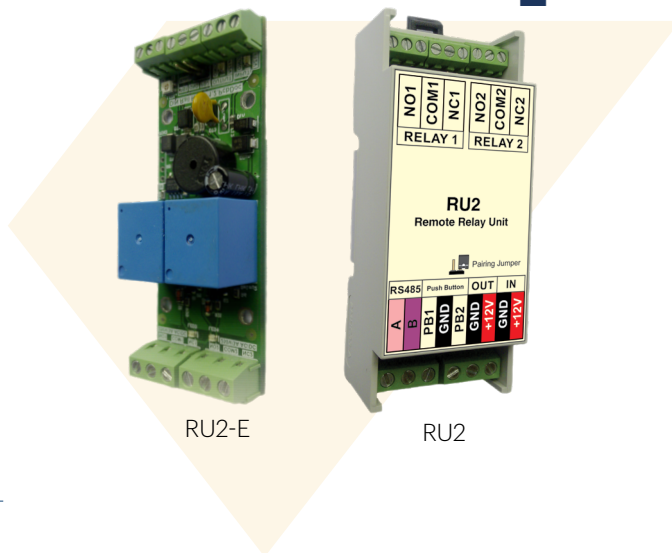


# RU2

## TWO RELAY REMOTE UNIT FOR SECURE INSTALLATIONS

RU2 is a 2 relay remote control unit for the B100-SA/DINB100-SA biometric readers and the MTPX-MF-SA/DINMTPX-MF-SA MIFARE proximity readers. If secure installation is needed, the biometric reader can be connected to remote relay unit at secured area.

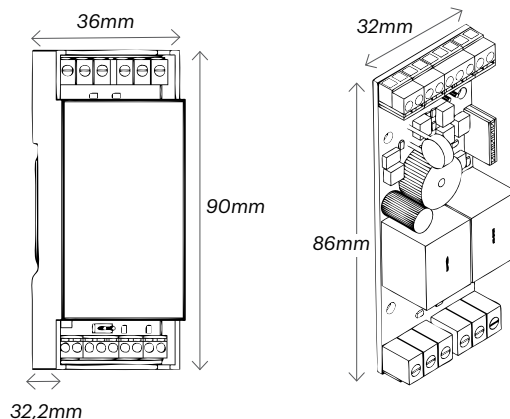


### FEATURES

- Power supply: 12V DC, 100mA
- Output: Two relays NO/NC contacts
- Output maximum current: 3A, 250V AC, 24V DC
- Inputs: Two inputs for activating outputs
- Output timing: Pulse 1-255 sec or toggle
- Operating temperature: 0-50°C, non condensing
- Housing: DIN RAIL size 2 box or PCB only
- Mounting: DIN RAIL (for model with housing)
- PCB size: 86 x 32 mm, 4 fixing holes dia. 3mm
- Housing size: 36 x 90 x 32,2mm (DINrail box)

Compatible devices: Standalone biometry B100 series, DIN hotel system

### DIMENSIONS



### APPLICATION DIAGRAM

